



## BAKERS TROUSER - 2208

REF: 301030000002208PW



### Description:

Pants with an elastic waist in durable twill fabric.

### Features:

- Hard wearing durable twill fabric with excellent dye retention
- Non shrinking to ensure that this style maintains its shape wash after wash
- Fully elasticated waistband for ultimate wearer comfort
- Side pocket
- 1 pocket for secure storage

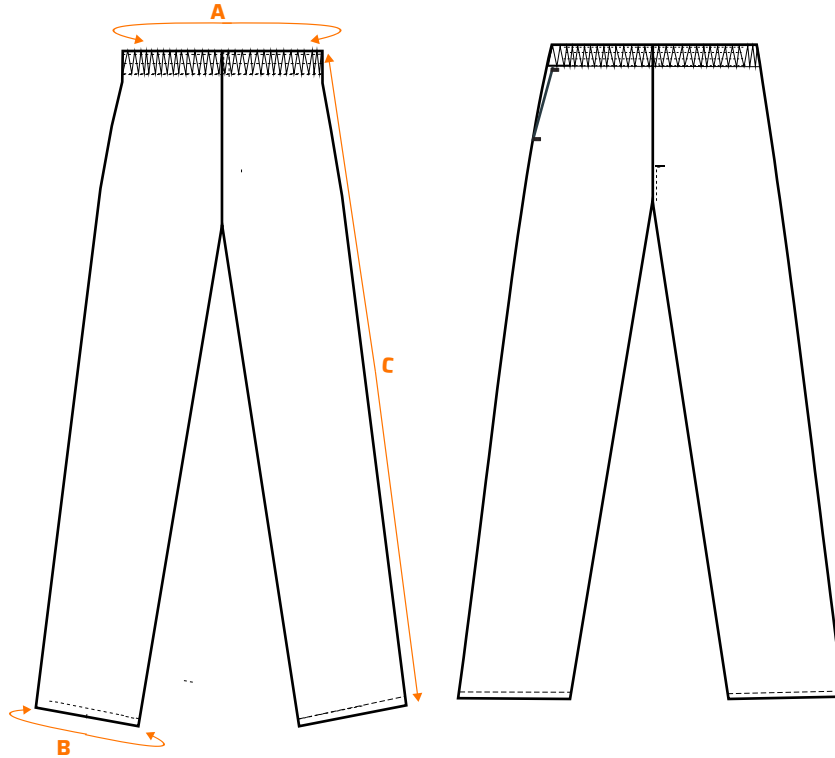
**Composition and density:** Shell Fabric : Kingsmill: 65% Polyester, 35% Cotton 190g

### Wash care:



# BAKERS TROUSER - 2208

REF: 301030000002208PW



**Size chart:**

Sizes (cm)		XXS	XS	S	M	L	XL	XXL	3XL	4XL
Waist (relaxed)	A	49	57	65	73	81	89	97	105	113
Hem	B	46	46	46	46	46	46	46	46	46
Side seam	C	104	105	106	107	108	109	110	110	111

**Available colors and sizes:**

- White: XXS - 4XL
- Royal Blue: XS - 3XL