



HIGH VISIBILITY SWEATSHIRT W/REFLECTIVE STRIPS - B306

REF: 30104000000B306PW



EN ISO 20471
CLASS 3



Description:

A best selling high visibility sweatshirt design is available in these two-tone colour combinations. Constructed from superior brushed polycotton fabric, this stylish alternative is ultra-soft yet extremely durable, providing optimum comfort for the wearer.

Features:

- CE certified
- Designed with a comfort fit
- Knitted fabric with brushed backing
- Reflective tape for increased visibility
- Contrast panels for protection against dirt
- Ribbed cuffs for added comfort
- Fully elasticated waistband for ultimate wearer comfort
- Certified to EN ISO 20471 after 50x washes
- Complies with RIS 3279-TOM for rail industry (orange only)
- 40+ UPF rated fabric to block 98% of UV rays

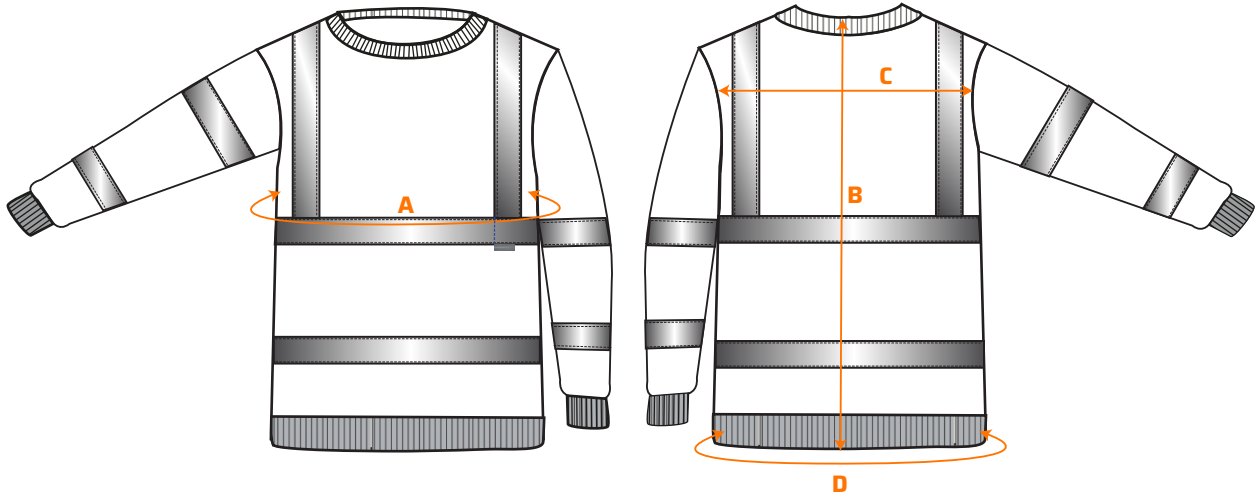
Composition and density: Tecido Exterior: 65% Polyester / 35% Cotton - 300 g.

Available colors and sizes:  Yellow/Navvy: S - 4XL  Orange/Navvy: S - 4XL



HIGH VISIBILITY SWEATSHIRT W/REFLECTIVE STRIPS - B306

REF: 30104000000B306PW



Size chart:

Sizes (cm)		S	M	L	XL	XXL	3XL	4XL
Chest contour	A	112	117	126	135	144	153	162
Length	B	77	77	78	78	78	79	79
Back width	C	49	51	54	57	60	63	66
Hem (relaxed)	D	78	87	96	105	114	123	132

Wash care:



EN ISO 20471 - Class 3
RIS 3279-TOM ISSUE 2 (ONLY ORANGE)