



# HIGH VISIBILITY RAIN JACKET - H440

REF: 30104000000H440PW



EN 343  
CLASS 3:1X



EN ISO 20471  
CLASS 3

## Description:

Designed to keep the wearer visible, safe and dry in foul weather conditions, the H440 is extremely practical and waterproof. It offers exceptional value for money and can be perfectly matched with the H441 Hi-Vis Rain Trousers. This garment can be easily rolled up and stored when not in use.

## Features:

- CE certified
- 2 pockets for secure storage
- Drawcord hood and hem for a secure and comfortable fit
- Inner elasticated cuff
- Vented back yoke and eyelets for added breathability and comfort
- Bio motion tape pattern to improve recognition of human shape at distance
- Reflective tape for increased visibility
- REACH compliant PVC coating
- 40+ UPF rated fabric to block 98% of UV rays
- Waterproof with taped seams preventing water penetration
- Extremely water resistant fabric finish, water beads away from fabric surface

## Composition and density:

Shell Fabric: 190T: 100% Polyester, Plain Weave, PVC coated - 200 g.

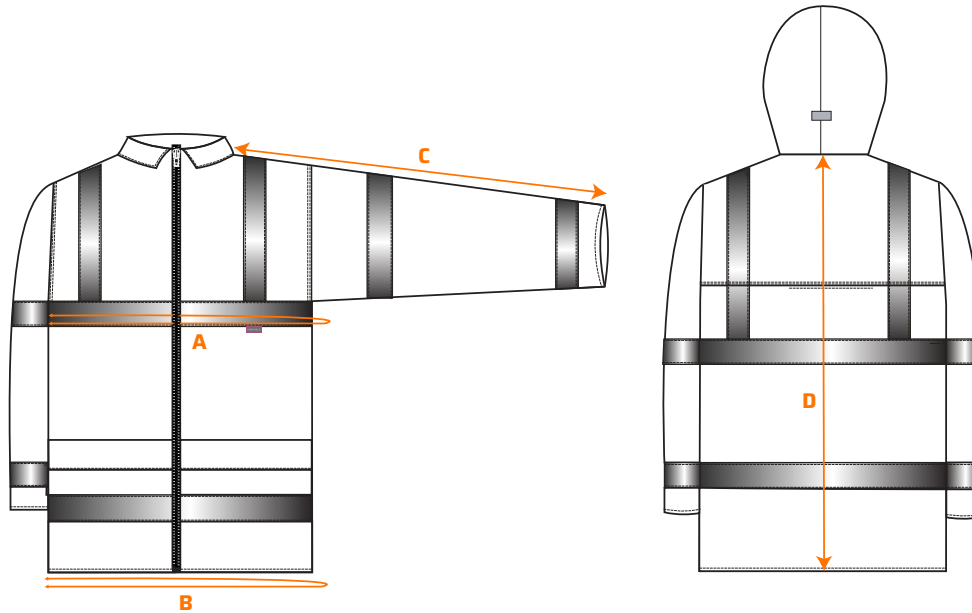
Lining Fabric: Yoke Only: 100% Polyester Mesh - 60 g.

Available colors and sizes: ■ Yellow: XS - 6XL

■ Orange: XS - 6XL

# HIGH VISIBILITY RAIN JACKET - H440

REF: 30104000000H440PW



Size chart:

Sizes (cm)		XS	S	M	L	XL	XXL	3XL	4XL	5XL	6XL
Chest contour	A	102	110	118	126	138	146	154	162	174	186
Hem contour	B	102	110	118	126	138	146	154	162	174	186
Sleeve length	C	78	79	80	81	82	83	84	85	86	87
Length	D	76	76	77	78	80	81	83	84	86	88

Wash care:



EN 343 - Class 3:1X (WP 5,000mm)  
EN ISO 20471 - Class 3