



# HIGH VISIBILITY WATERPROOF JACKET WITH REFLECTIVE STRIPS - S160

REF: 30104000000S160PW



EN 343  
CLASS 3:1X



EN ISO 20471  
CLASS 3

## Description:

Offering high quality at an unbeatable price, the S160 jacket includes features such as a zipped front with Hook & Loop storm flap, jettied hip pockets and stud adjustable cuffs.

## Features:

- CE certified
- Waterproof with taped seams preventing water penetration
- Extremely water resistant fabric finish, water beads away from fabric surface
- Pack away hood for added functionality
- Stud adjustable cuffs for a secure fit
- Storm flap front to protect against the elements
- Print access for corporate branding
- Reflective tape for increased visibility
- 2 pockets for secure storage
- 40+ UPF rated fabric to block 98% of UV rays

## Composition and density:

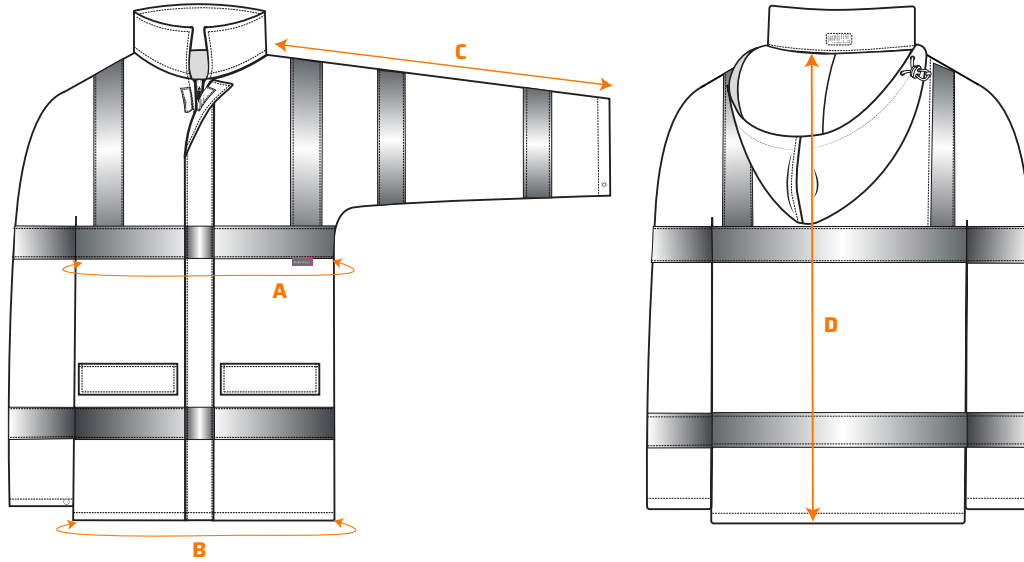
Shell Fabric: 100% Polyester, 150D Oxford Weave, PVC Coated - 200 g.  
Lining Fabric: 100% Polyester Mesh - 60 g.

Available colors and sizes: ■ Yellow: XS - 3XL

■ Orange: S - 3XL

# HIGH VISIBILITY WATERPROOF JACKET WITH REFLECTIVE STRIPS - S160

REF: 30104000000S160PW



Size chart:

Sizes (cm)		XS	S	M	L	XL	XXL	3XL
Chest contour	A	102	110	118	126	134	142	150
Hem contour	B	102	110	118	126	134	142	150
Sleeve length	C	76.5	77.5	78.5	79.5	80.5	81.5	82.5
Length	D	81	82	83	84	85	86	87

Wash care:



EN 343 - Class 3:1X (WP 5,000mm)  
EN ISO 20471 - Class 3