



HIGH VISIBILITY BIZFLAME JACKET WATERPROOF BREATHABLE - S773

REF: 30104000000S773PW



EN 343
CLASS 3:1X



EN 1149-5



EN 13034



EN ISO 14116



EN ISO 20471
CLASS 3



Description:

This fully waterproof and breathable hi-vis bomber jacket offers multi-norm protection in hazardous conditions. It features include chemical resistance and a detachable hood.

Features:

- CE-CAT III
- Anti-static properties
- Flame resistant treated waterproof fabric prevents water penetration
- Ribbed cuffs for added comfort
- Fully lined and padded to trap the heat and increase warmth
- Premium sew on flame resistant reflective tape
- Breathable fabric to draw moisture away from the body keeping the wearer cool, dry and comfortable
- Taped seams to provide additional protection
- 4 pockets for ample storage including phone pocket and internal chest pocket
- Two-way zip for quick and easy access
- Concealed detachable hood
- Radio loop for easy clipping of a radio
- Side elastic waist for ultimate wearer comfort

Composition and density:

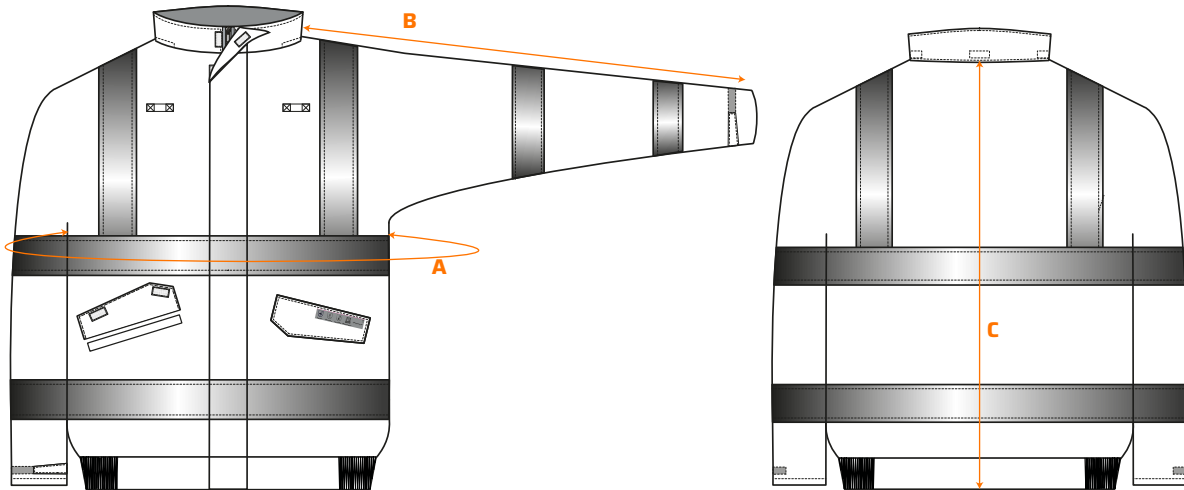
Shell Fabric: Bizflame Rain: 98% Polyester / 2% Antistatic Carbon Fibre / PU Coated - 250 g.

Lining Fabric: 100% Cotton Flame Resistant Lining 170 g.

Filling Fabric: 100% Modacrylic Flame Resistant 150 g.

HIGH VISIBILITY BIZFLAME JACKET WATERPROOF BREATHABLE - S773

REF: 30104000000S773PW



Size chart:

Sizes (cm)		XS	S	M	L	XL	XXL	3XL	4XL	5XL
Chest	A	110	118	126	134	142	150	158	166	178
Sleeve length	B	81	82	83	84	85	86	87	88	89
Length	C	68	68	70	70	72	72	72	74	74

Available colors and sizes: ■ Yellow/Navy: XS - 5XL

■ Orange/Navy: XS - 4XL

Wash care:



EN 343 - Class 3:1 X
 EN 1149-5
 EN 13034 - Type PB [6]
 EN ISO 14116 - Index 3
 EN ISO 20471 - Class 3