



BIZFLAME RAIN HIGH VISIBILITY MULTI LITE JACKET - S774

REF: 30104000000S774PW



EN 1149-5



EN 13034



EN 407



EN 343
CLASS 3:3X



EN ISO 20471
CLASS 3



Description:

A great value addition to our Multi-Protection Range, the S774 jacket is an unpadded lightweight jacket hosting a multitude of functional features and benefits.

Features:

- Flame resistant treated waterproof fabric prevents water penetration
- Internal chest pocket, 4 pockets for ample storage, Concealed phone pocket
- Lightweight and comfortable
- FR cotton lined for added warmth and comfort
- Knitted cuff for comfort and warmth
- External standards label for quick identification of protection levels
- Anti-static
- Breathable fabric to draw moisture away from the body keeping the wearer cool, dry and comfortable
- Taped seams to provide additional protection
- Premium sew on flame resistant reflective tape
- Two-way zip for quick and easy access
- Pack away hood for added functionality
- Radio loop for easy clipping of a radio
- CE-CAT III
- Bio motion tape pattern to improve recognition of human shape at distance

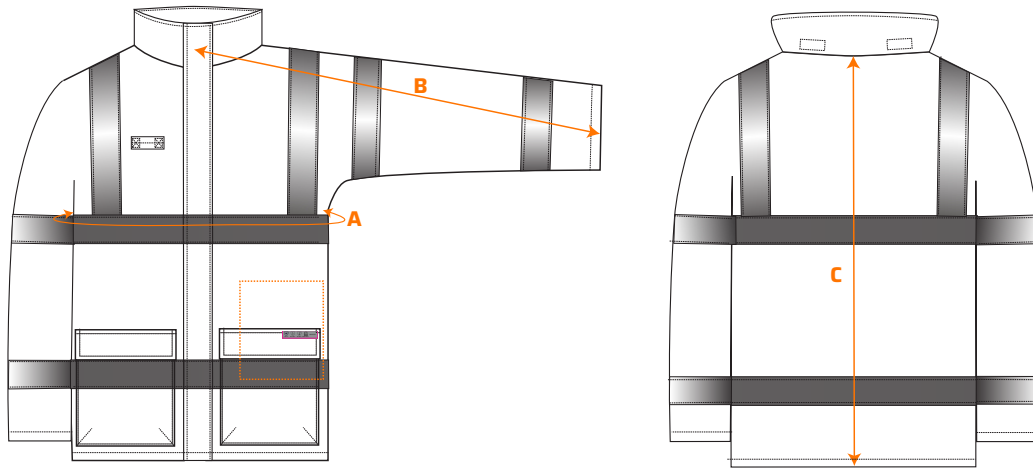
Composition and density:

Shell Fabric: Bizflame Rain: 98% Polyester, 2% Antistatic Carbon Fibre, Breathable, PU Coated 250g

Lining Fabric: 100% Cotton Flame Resistant Lining 170g

BIZFLAME RAIN HIGH VISIBILITY MULTI LITE JACKET - S774

REF: 30104000000S774PW



Size chart:

Sizes (cm)		S	M	L	XL	XXL	3XL	4XL	5XL
Chest	A	110	118	126	134	142	150	158	166
Sleeve length	B	90	91.5	93	94.5	96	97.5	98.5	99.5
Length	C	82	82.5	84	85	86	87	88	89

Available colors and sizes: ■ Yellow: S - 5XL ■ Orange: S - 3XL

Washing care:



EN ISO 14116 Index 3
 EN 1149 -5
 EN 13034 Type PB [6]
 EN ISO 20471 Class 3
 RIS 3279 TOM Issue 2 (Orange Only)
 EN 343 Class 3:3 X