



# TWO-TONE BIZFLAME PARKA MULTI-PROTECTION HIGH VISIBILITY - S779

REF: 30104000000S779PW



EN 343  
CLASS 3:3X



EN 1149-5



EN 13034



EN ISO 14116



EN ISO 20471  
CLASS 3



## Description:

This multi-protection waterproof, breathable jacket offers protection against multiple risks. A detachable FR fleece liner makes this jacket suitable for use in all weather conditions. Jacket to be worn with trousers for full protection.

## Features:

- CE-CAT III
- Flame resistant treated waterproof fabric prevents water penetration
- Anti-static properties
- FR cotton lined for added warmth and comfort
- Fleece lining for added warmth and comfort
- Drawcord adjustable hem
- Premium sew on flame resistant reflective tape
- Detachable lining for added versatility in all weather conditions
- Breathable fabric to draw moisture away from the body keeping the wearer cool, dry and comfortable
- Taped seams to provide additional protection
- 5 pockets for ample storage
- Radio loops for easy clipping of a radio
- Concealed detachable hood
- Texpel stain resistant finish repels dirt and stains

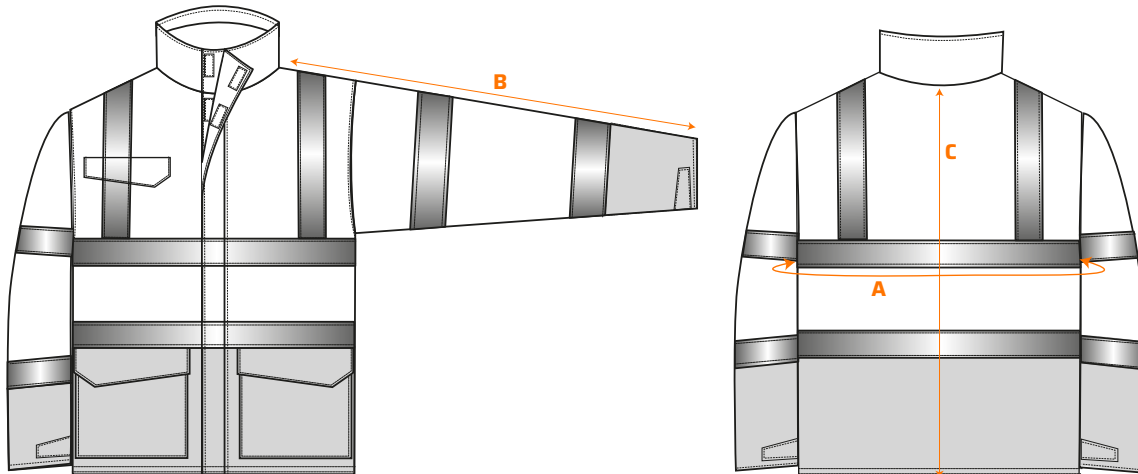
## Composition and density:

Shell Fabric: Bizflame Rain: 98% Polyester, 2% Antistatic Carbon Fibre, Breathable, PU Coated - 250 g.

Lining Fabric: 100% Cotton Flame Resistant Lining - 170 g. | Additional Lining Fabric Info: Removable Flame Resistant Fleece Liner - 350 g.

# TWO-TONE BIZFLAME PARKA MULTI-PROTECTION HIGH VISIBILITY - S779

REF: 30104000000S779PW



Size chart:

Sizes (cm)		XS	S	M	L	XL	XXL	3XL	4XL
Chest	A	110	118	126	134	142	150	158	166
Sleeve length	B	78	79	80	81	82	83	84	85
Length	C	82	83	84	85	86	87	88	89

Available colors and sizes: ■ Yellow/Navy: S - 3XL

■ Orange/Navy: XS - 4XL

Wash care:



EN 343 - Class 3:3 X  
 EN 1149-5  
 EN 13034 - Type PB [6]  
 EN ISO 14116 - Index 3  
 EN ISO 20471 - Class 3