



HIGH VISIBILITY FLAME RETARDANT AND ANTI-STATIC WATERPROOF PARKA - S778

REF: 30113000000S778PW



EN 343
CLASS 3:1X



EN 14058



EN 1149-5



EN ISO 14116



EN 13034



EN ISO 20471
CLASS 3



Description:

Optimum protection is offered from this antistatic jacket. Flame resistance coupled with superb breathable and water resistant properties, means this garment meets the necessary stringent European standards.

Features:

- CE-CAT III
- Anti-static properties
- Ribbed cuffs for added comfort
- 4 pockets for ample storage including phone pocket
- Pack away hood for added functionality
- Radio loop for easy clipping of a radio
- Storm flap front to protect against the elements
- Flame resistant treated waterproof fabric prevents water penetration
- Fully lined and padded to trap the heat and increase warmth
- Waterproof and breathable with taped seams to prevent water penetration
- Breathable fabric to draw moisture away from the body keeping the wearer cool, dry and comfortable
- Premium sew on flame resistant reflective tape
- Two-way front plastic moulded zip for quick and easy access
- 40+ UPF rated fabric to block 98% of UV rays

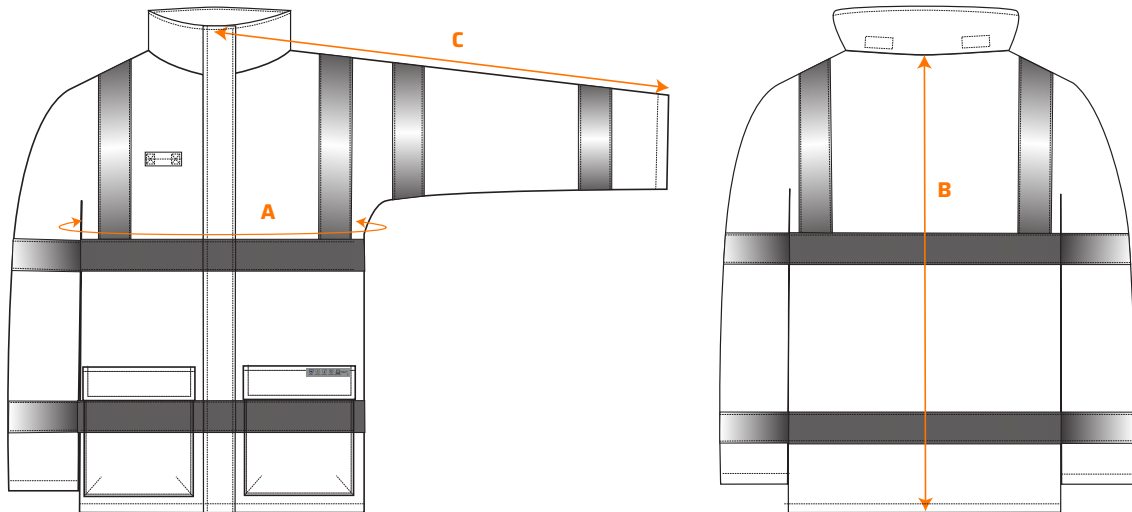
Composition and density:

Shell Fabric: Bizflame Rain: 98% Polyester, 2% Antistatic Carbon Fibre, Breathable, PU Coated - 250 g.

Lining Fabric: 100% Cotton Flame Resistant Lining - 170 g. | Filling Fabric: 100% Modacrylic Flame Resistant - 150 g.

HIGH VISIBILITY FLAME RETARDANT AND ANTI-STATIC WATERPROOF PARKA - S778

REF: 30113000000S778PW



Size chart:

Sizes (cm)		XS	S	M	L	XL	XXL	3XL	4XL	5XL	6XL
Chest	A	110	118	126	134	142	150	158	166	178	190
Length	B	82	83	84	85	86	87	88	89	90	91
Sleeve length	C	88.5	90	91.5	93	64.5	96	97.5	98.5	99.5	100.5

Available colors and sizes: ■ Yellow: XS - 6XL

■ Orange: XS - 5XL

Wash care:



EN 343 - Class 3:1X
 EN 1149-5
 EN 13034 - Type PB (6)
 EN 14058 - Class 3
 EN ISO 14116 - Index 3
 EN ISO 20471 - Class 3
 RIS 3279-TOM ISSUE 2 (ONLY ORANGE)