



BIZFLAME RAIN ANTI-STATIC FR JACKET S785

REF: 30113000000S785PW



EN 14058
Class 3



EN 1149-5



EN 13034
Type 6



EN ISO
14116



EN 343
CLASS 3:1



Description:

Optimum protection is offered from this anti-static jacket. Flame resistance coupled with superb breathable and water resistant properties ensures this garment is suitable for multi-risk environments.

Features:

- CE-CAT III
- Breathable fabric to draw moisture away from the body keeping the wearer cool, dry and comfortable
- Two-way front plastic moulded zip for quick and easy access
- 4 pockets for ample storage, phone pocket, internal chest pocket
- Radio loop for easy clipping of a radio
- Pack away hood for added functionality
- Premium sew on flame resistant reflective tape
- Anti-static
- Fully lined and padded to trap the heat and increase warmth
- Ribbed cuffs for added comfort
- Storm flap front to protect against the elements
- Flame resistant treated waterproof fabric prevents water penetration

Composition and density:

Shell Fabric : Bizflame Rain: 98% Polyester, 2% Antistatic Carbon Fibre, Breathable, PU Coated 250g

Lining Fabric : 100% Cotton Flame Resistant Lining 170g

Filling Fabric : 100% Modacrylic Flame Resistant 150g

Available colors and sizes:

■ Navy Blue: S - 3XL

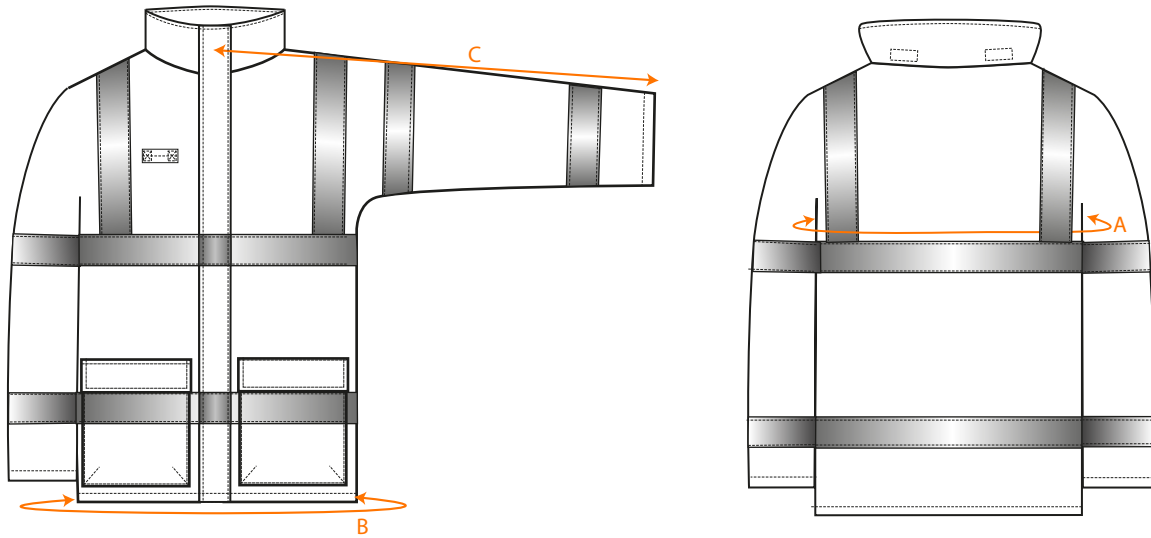
■ Royal Blue: S - 3XL

■ Red: S - 3XL



BIZFLAME RAIN ANTI-STATIC FR JACKET - S785

REF: 30113000000S785PW




Size chart:

Sizes (cm)		XS	S	M	L	XL	XXL	3XL	4XL	5XL	6XL
Chest	A	110	118	126	134	142	150	158	166	178	190
Hem	B	88.5	90	91.5	93	94.5	96	97.5	98.5	99.5	100.5
Sleeve Length	C	82	83	84	85	86	87	88	89	90	91

Washing care:




 EN ISO 14116 Index 3
 EN 1149-5
 EN 13034 Type PB (6)
 EN 343 Class 3:1X
 EN 14058 Class 3